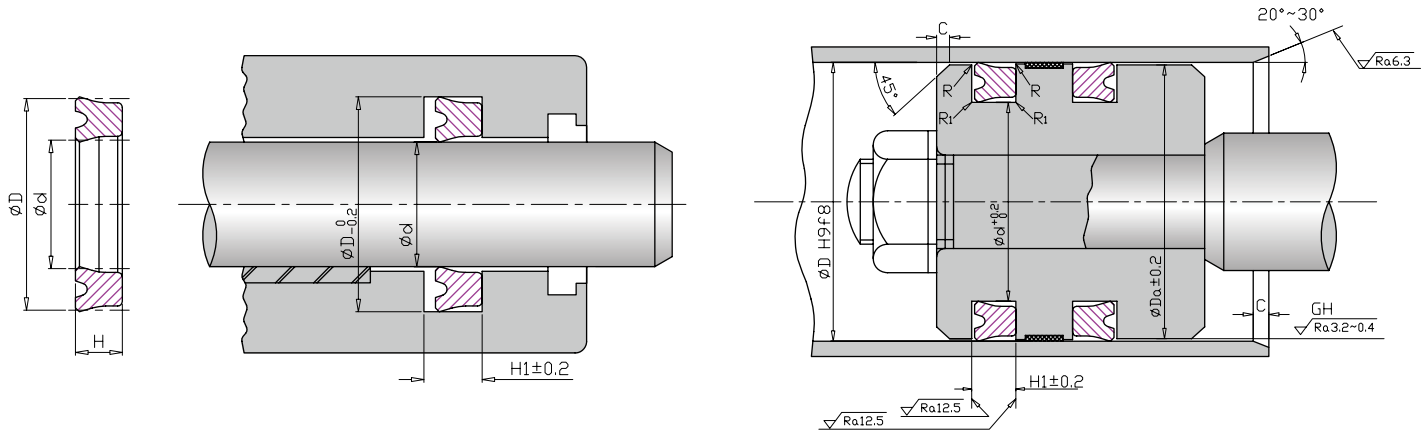
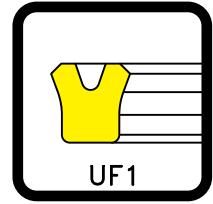


UF1 Series

Symmetrical Piston & Rod U-Cup Seal



FKM/ FPM 90 PHYSICAL PROPERTIES			
Working Pressure: ≤ 14 Mpa			
Working Temperature: $-20^{\circ}\text{C} \sim +225^{\circ}\text{C}$			
Surface Speed: ≤ 1.0 m/s			
Hardness	90	Shore A	DIN53505
Tensile Strength	16.7	Mpa	DIN53504
	2422	psi	ASTM D-412
Elongation	139	%	DIN53504
Compression Set	16.7	%	DIN53517
70hrs @ 175°C	16.7	%	ASTM D-395
Standard Compound	V9059AA		
Color	Black ●		

NBR 85 PHYSICAL PROPERTIES			
Working Pressure: ≤ 14 Mpa			
Working Temperature: $-25^{\circ}\text{C} \sim +100^{\circ}\text{C}$			
Surface Speed: ≤ 1.0 m/s			
Hardness	85	Shore A	DIN53505
Tensile Strength	20.7	Mpa	DIN53504
	3008	psi	ASTM D-412
Elongation	130	%	DIN53504
Compression Set	4.9	%	DIN53517
24hrs @ 100°C	4.9	%	ASTM D-395
Standard Compound	N8594AA		
Color	Black ●		

CODE	d (mm)	D (mm)	H	H1	Da
UF10012	12	20	5.0	5.7	19.0
UF10014	14	22	5.0	5.7	21.0
UF10016	16	24	5.0	5.7	23.0
UF10018	18	26	5.0	5.7	25.0
UF10020	20	28	5.0	5.7	27.0
UF10022	22	30	5.0	5.7	29.0
UF122.4	22.4	30	5.0	5.7	29.0
UF123.5	23.5	31.5	5.0	5.7	30.5
UF10024	24	32	5.0	5.7	31.0
UF10025	25	33	5.0	5.7	32.0
UF10027	27	35	5.0	5.7	34.0
UF10A28	28	35.5	5.0	5.7	34.5
UF10B28	28	36	5.0	5.7	35.0
UF10030	30	40	6.0	7.0	39.0
UF131.5	31.5	41.5	6.0	7.0	40.5
UF10032	32	42	6.0	7.0	41.0

CODE	d (mm)	D (mm)	H	H1	Da
UF10035	35	45	6.0	7.0	44.0
UF135A5	35.5	45	6.0	7.0	44.0
UF135B5	35.5	45.5	6.0	7.0	44.5
UF10036	36	46	6.0	7.0	45.0
UF10040	40	50	6.0	7.0	49.0
UF10A45	45	55	6.0	7.0	54.0
UF10B45	45	56	7.0	8.0	55.0
UF10050	50	60	6.0	7.0	59.0
UF10053	53	63	6.0	7.0	62.0
UF10055	55	65	6.0	7.0	64.0
UF10056	56	66	6.0	7.0	65.0
UF10058	58	68	6.0	7.0	67.0
UF10A60	60	70	6.0	7.0	69.0
UF10B60	60	71	7.0	8.0	70.0
UF10061	61	71	6.0	7.0	70.0
UF10063	63	73	6.0	7.0	72.0

UF1 Series

Symmetrical Piston & Rod U-Cup Seal

CODE	d (mm)	D (mm)	H	H1	Da
UF10065	65	75	6.0	7.0	74.0
UF10067	67	77	6.0	7.0	76.0
UF10070	70	80	6.0	7.0	79.0
UF10071	71	80	6.0	7.0	79.0
UF10075	75	85	6.0	7.0	84.0
UF10080	80	90	6.0	7.0	89.0
UF10A85	85	95	6.0	7.0	94.0
UF10B85	85	100	9.0	10.0	98.0
UF10090	90	105	9.0	10.0	103.0
UF10095	95	110	9.0	10.0	108.0
UF10100	100	115	9.0	10.0	113.0
UF10106	106	120	8.5	9.5	118.0
UF10110	110	125	9.0	10.0	123.0
UF1B112	112	125	9.0	10.0	123.0
UF10125	125	140	9.0	10.0	138.0
UF10130	130	145	9.0	10.0	143.0
UF10136	136	150	8.5	9.5	148.0
UF10145	145	160	9.0	10.0	158.0
UF10150	150	165	9.0	10.0	163.0
UF10160	160	175	9.0	10.0	173.0
UF10165	165	180	9.0	10.0	178.0
UF10180	180	200	12.0	13.0	198.0
UF10230	230	250	12.0	13.0	248.0
UF10250	250	270	12.0	13.0	268.0
UF10295	295	315	14.0	15.0	313.0
UF10335	335	355	14.0	15.0	353.0
UF10400	400	420	14.0	15.0	418.0